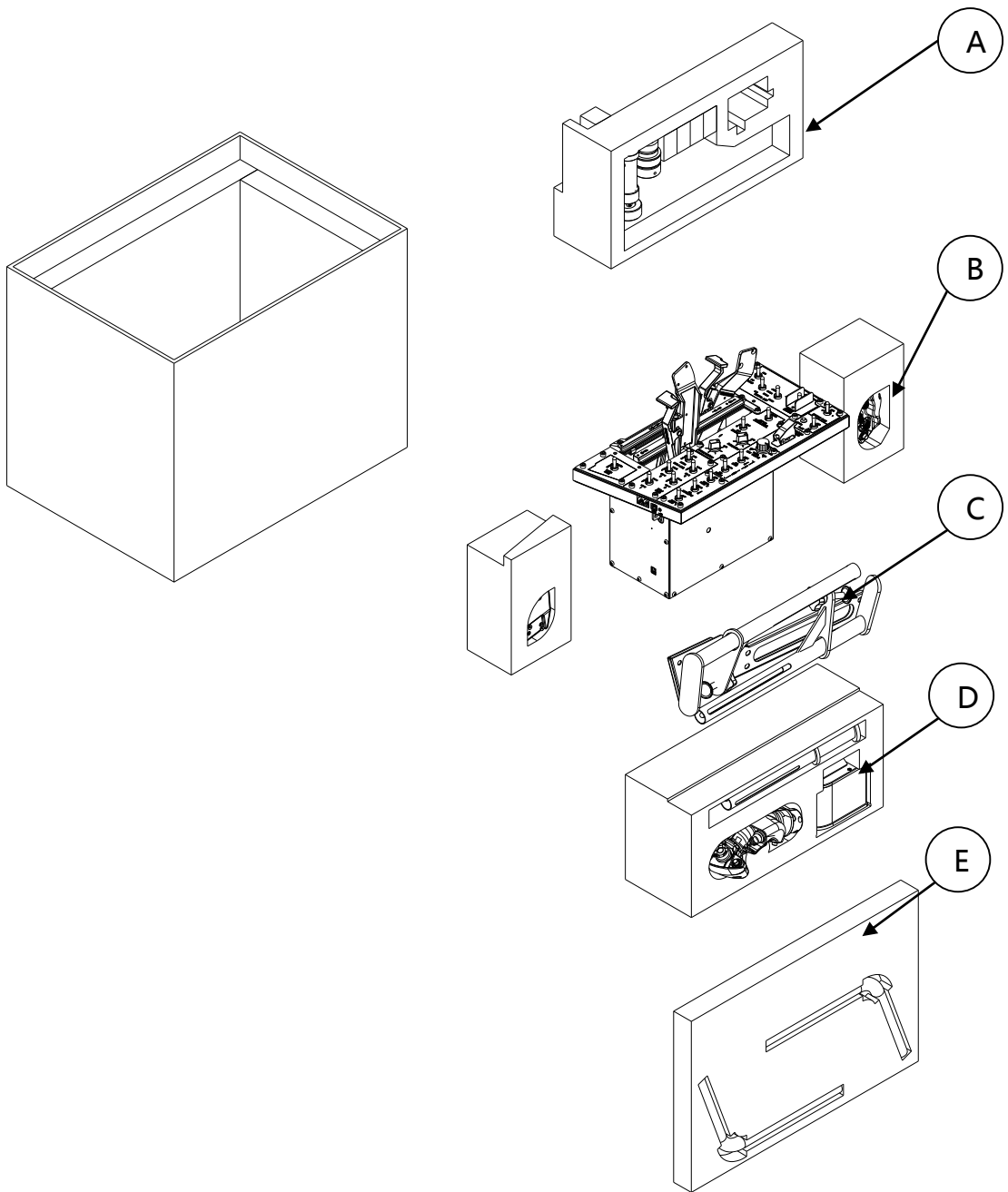


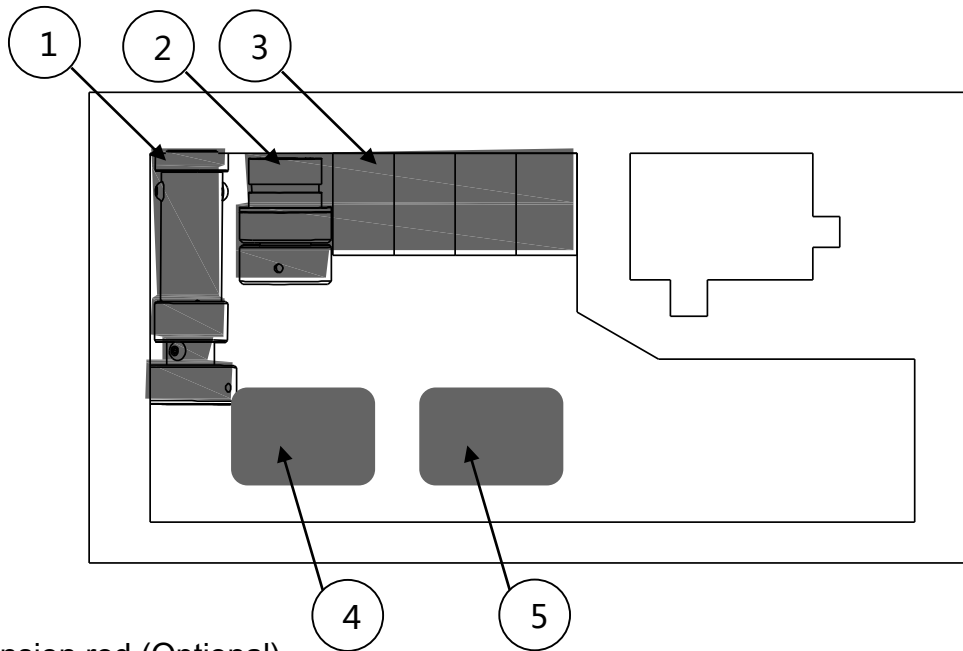
F18 HOTAS INSTALL GUIDE EN V1.1

1	Packing Diagram	1
1.1	A Side.....	2
1.2	B Side	3
1.3	C Side	3
1.4	D Side	4
1.5	E Side	4
2	F18 Throttle Installation	5
2.1	F18 throttle L/R Handles Installation	5
2.2	Throttle desk mount Installation	6
2.3	How to install on table with desk mount	8
3	F18 Joystick Installation	9
3.1	Install Joystick base with desk mount	10
3.2	Multi ways to install the joystick with base and add on.....	11
3.3	F18 joystick and base Installation	12
3.4	How to install on table with desk mount	13

1 Packing Diagram

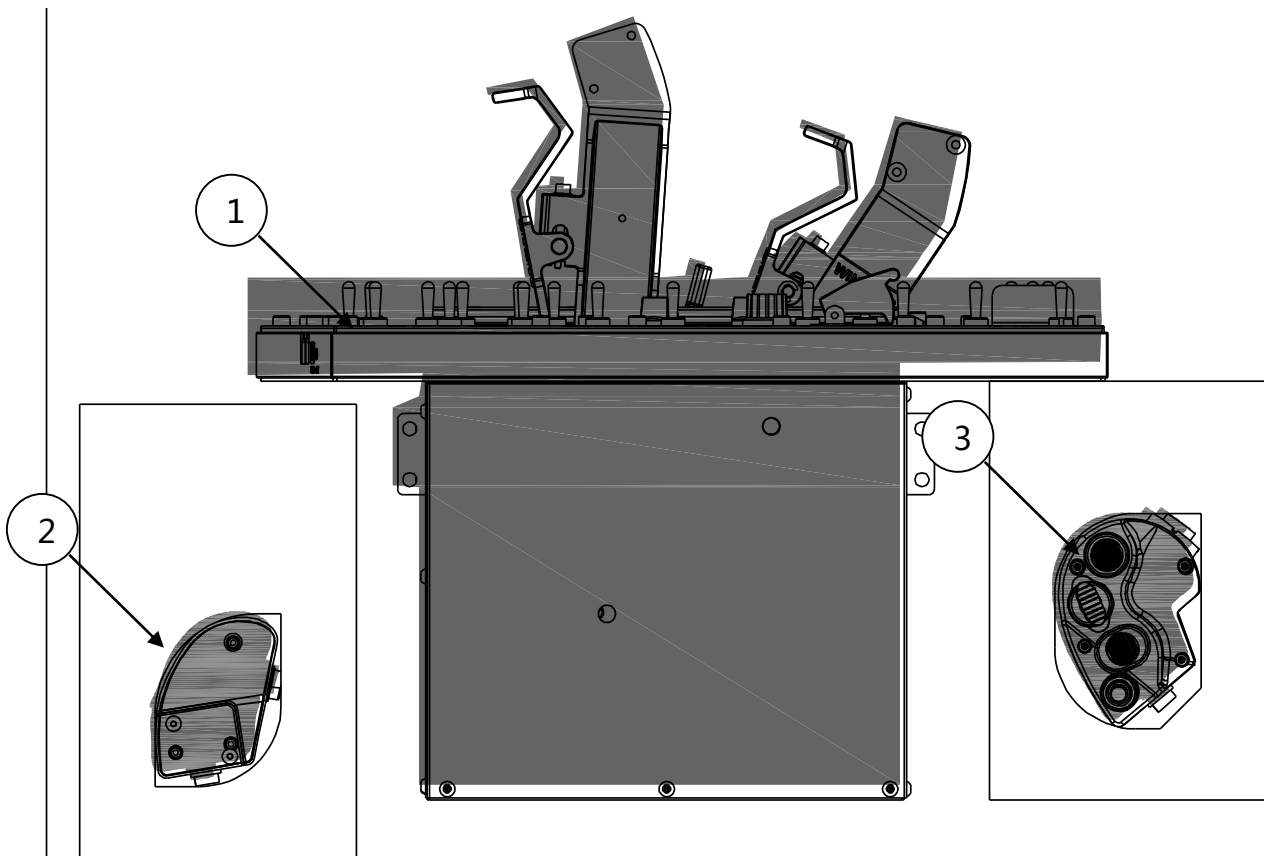


1.1 A Side



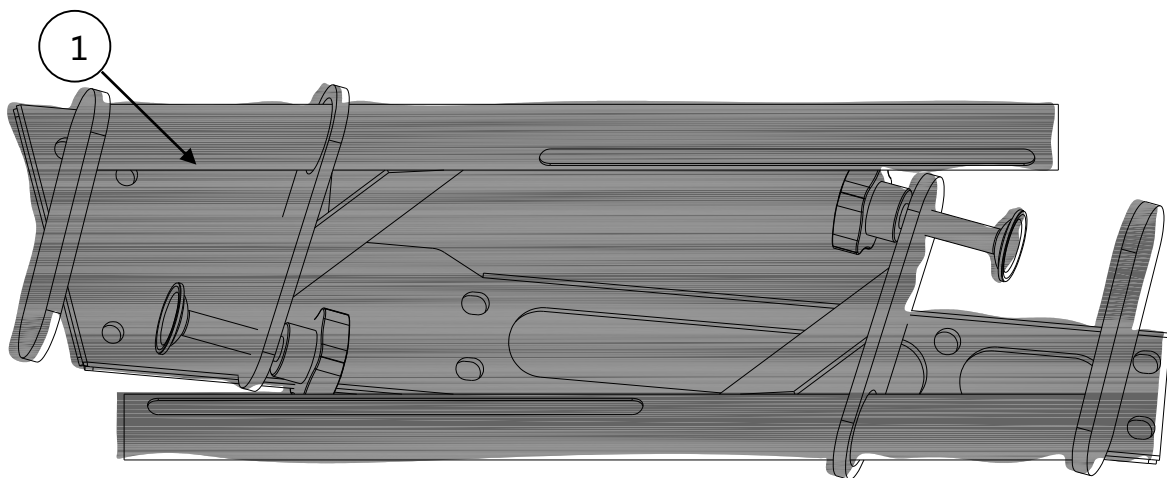
1. 1x Extension rod (Optional)
2. 1x Z axis kit (Optional)
3. 4x T1-HOLDER /J1-HOLDER accessories
4. 1x Tool pack
5. x Kits pack

1.2 B Side



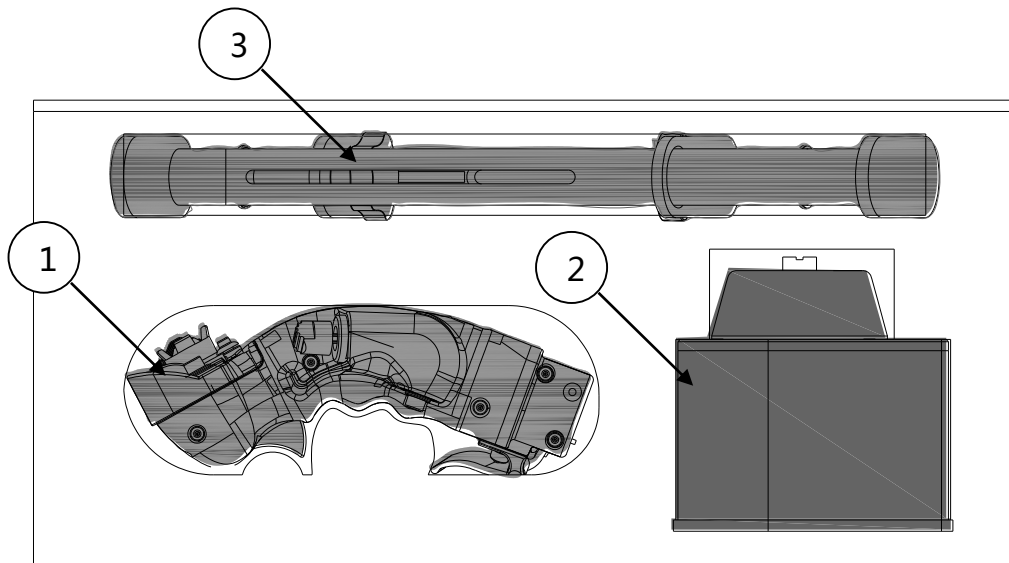
1. 1x Throttle base
2. 1x F18 throttle L grip
3. 1x F18 throttle R grip

1.3 C Side



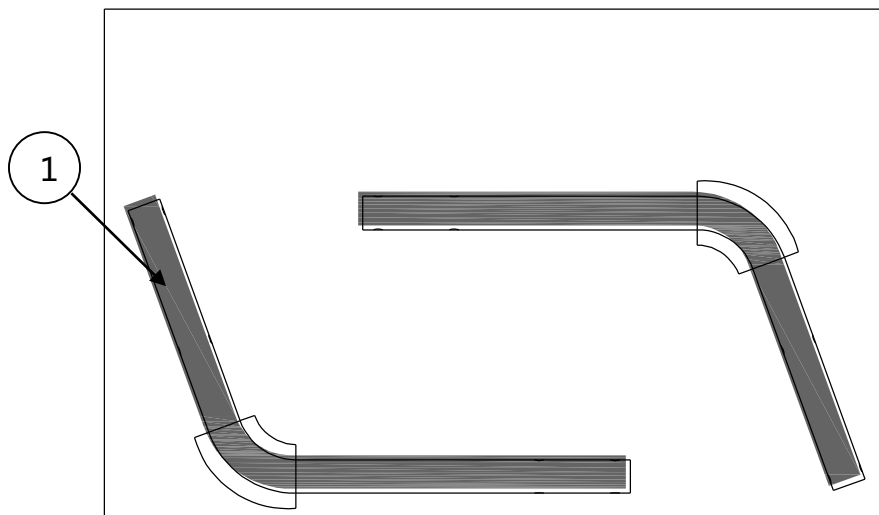
1. 6x T1-HOLDE/J1-HOLDER accessories

1.4 D Side



1. 1x F18 Joystick grip
2. 1x Joystick Base
3. 2x J1-HOLDER accessories

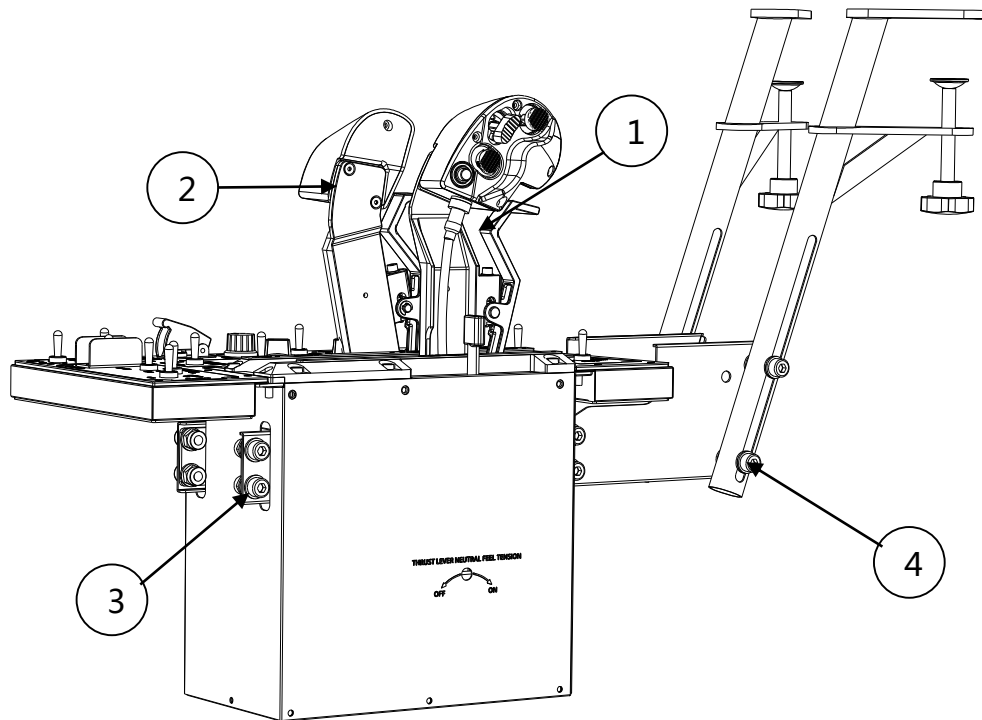
1.5 E Side



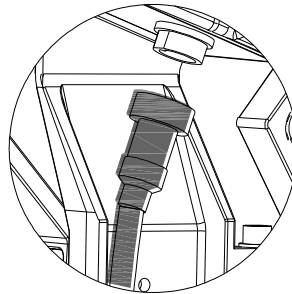
1. 2x J1-HOLDER accessories

2 F18 Throttle Installation

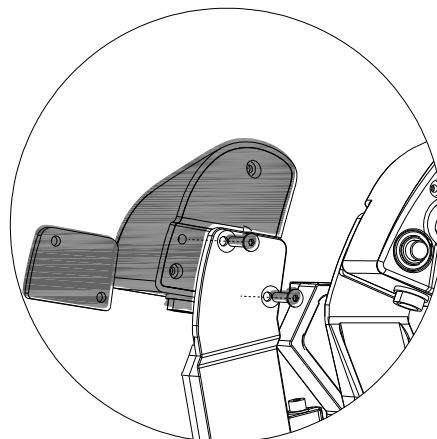
2.1 F18 throttle L/R Handles Installation



1. L/R throttle handles need connected to the aviation plug.

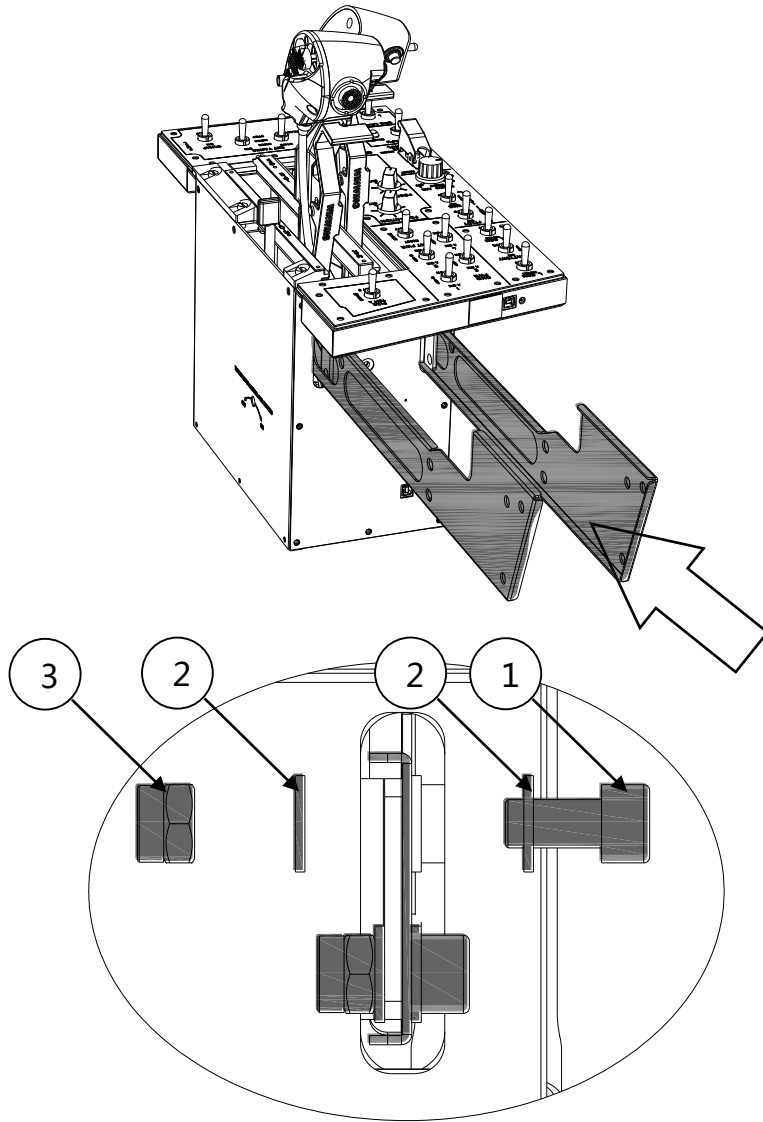


2. Install the gasket between the grip and the throttle arm. It is also possible not to install this accessory on demand.



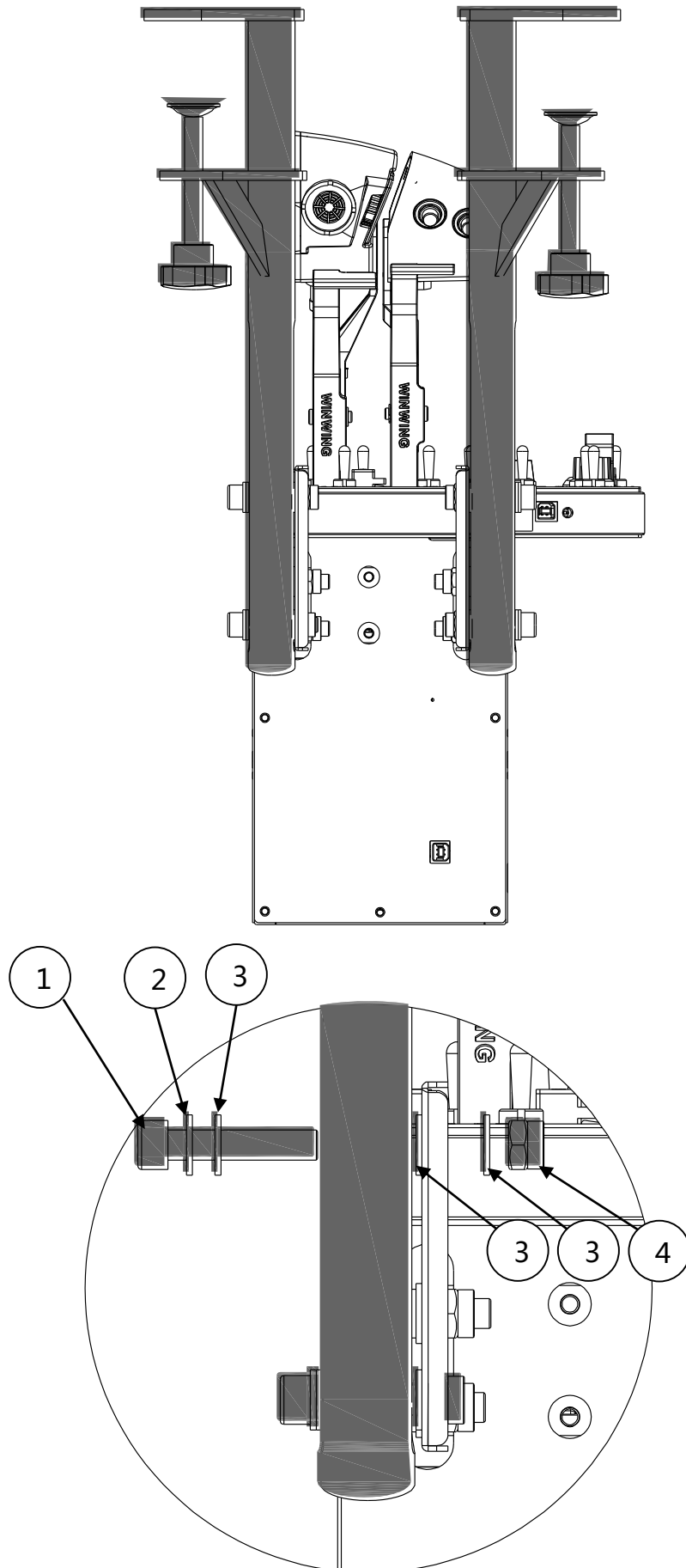
2.2 Throttle desk mount Installation

3. Insert the assembled desk mount into the throttle base. (When assembling, always ensure that the two round tubes are inside) , Install and tighten the screws (8PCS)



- ① 4 of M8 35mm type Allen screws
- ② 8 of M8 type Screw washer
- ③ 4 of M8 type locknuts

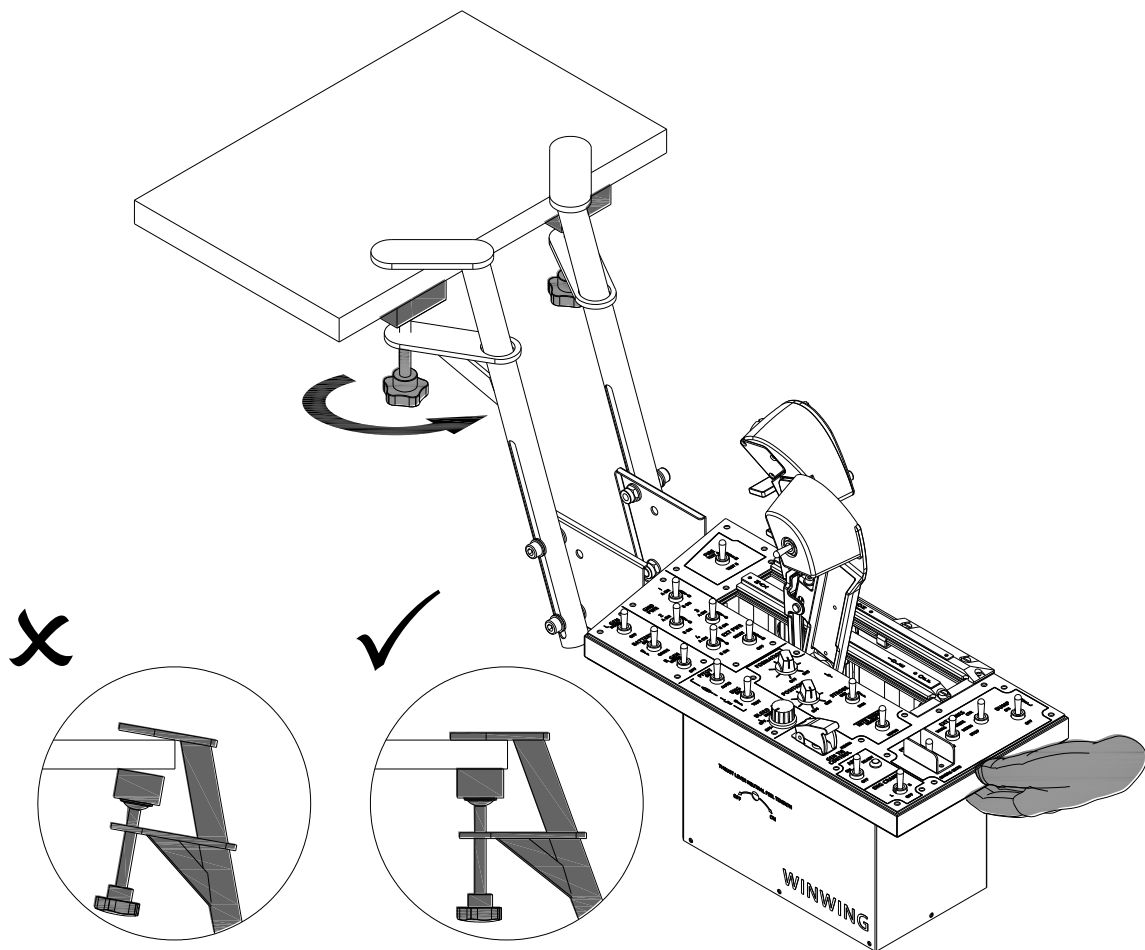
4. Insert the fixing plate and fix it with screws. (4PCS)



① 8 of M8 40mm-type Allen screws

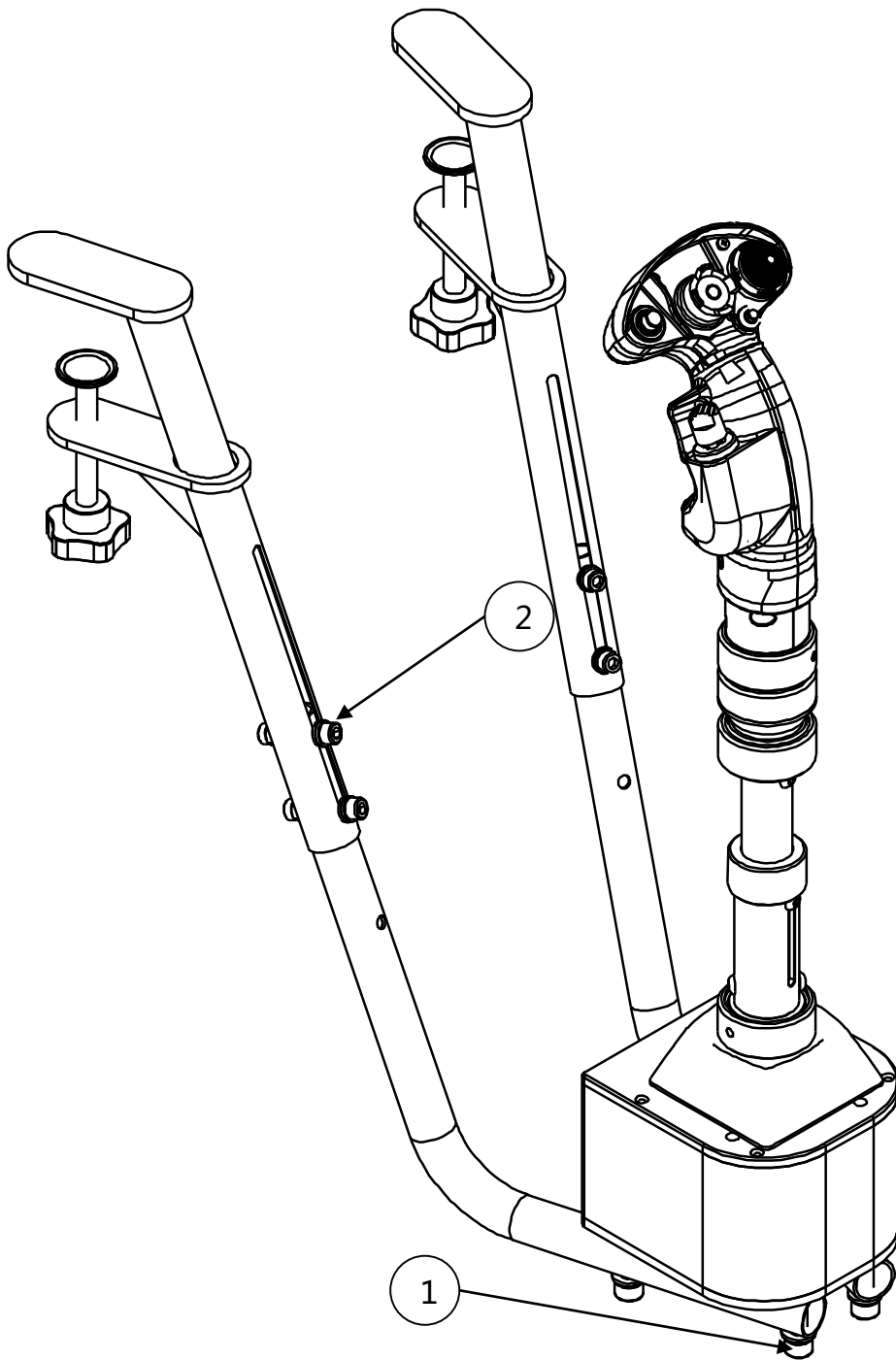
- ② 4 of M8 type Screw washer
- ③ 12 of Nylon Screw washer M8
- ④ 4 of M8 type locknuts

2.3 How to install on table with desk mount



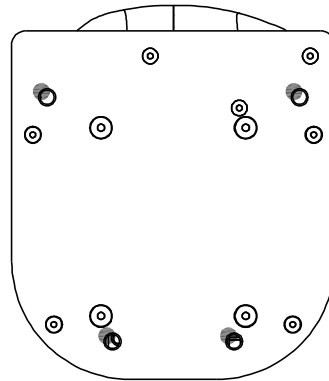
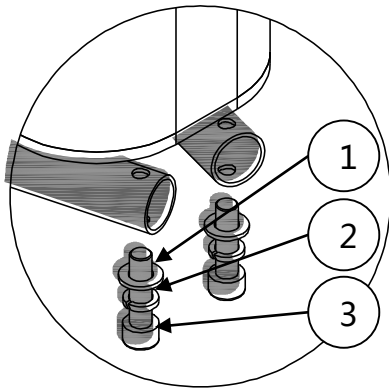
1. The top of the desk mount depends on the surface of the table.
2. Hold the end of the unit with your hand to ensure that the device is in the position shown.
3. Tighten the fixed handle.

3 F18 Joystick Installation



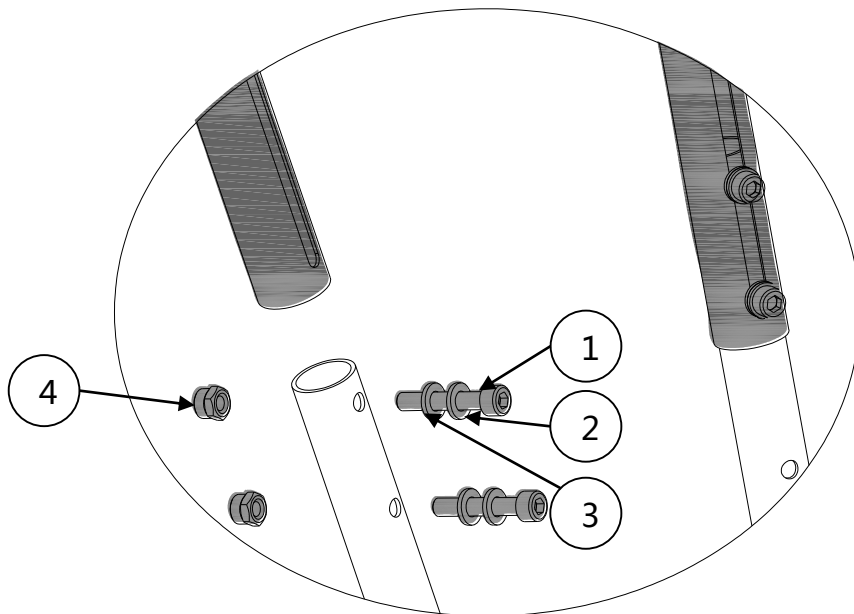
3.1 Install Joystick base with desk mount

1. fix the plate with desk mount holder



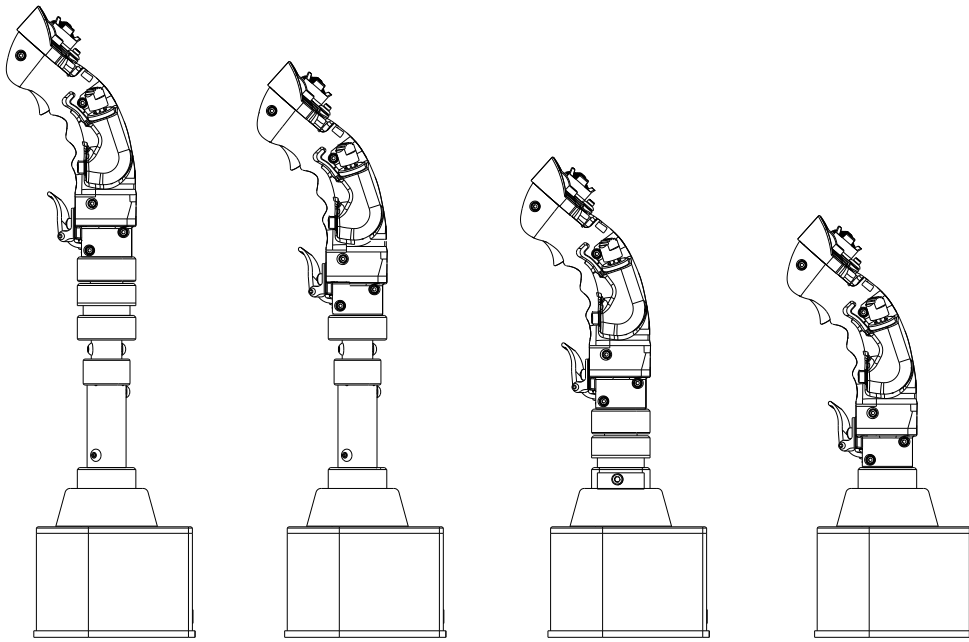
- ① 4 of M6 30mm-type Allen screws
- ② 8 of M8 type Screw washer

2. Connect the desk mount holder to the connection tube.



- ① 4 of M6 35mm-type Allen screws
- ② 4 of M6 type Screw washer
- ③ 4 of Nylon Screw washer M6
- ④ 4 of M6 type locknuts

3.2 Multi ways to install the joystick with base and add on



J1-base+extension

J1-base+extension

J1-base+Z axis

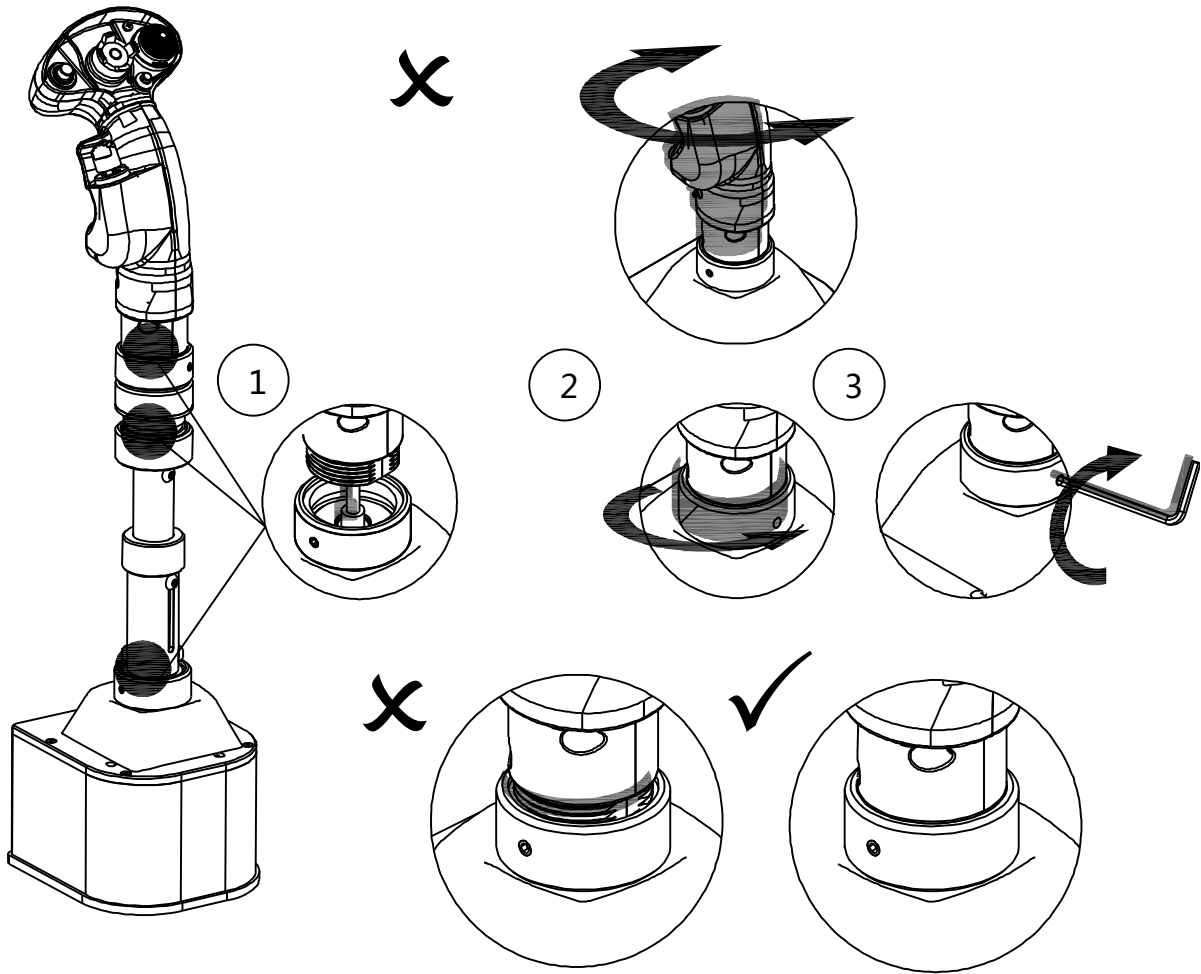
J1-base +Jgrip

rod+Z axis kit+Jgrip

rod+Jgrip

kit+Jgrip

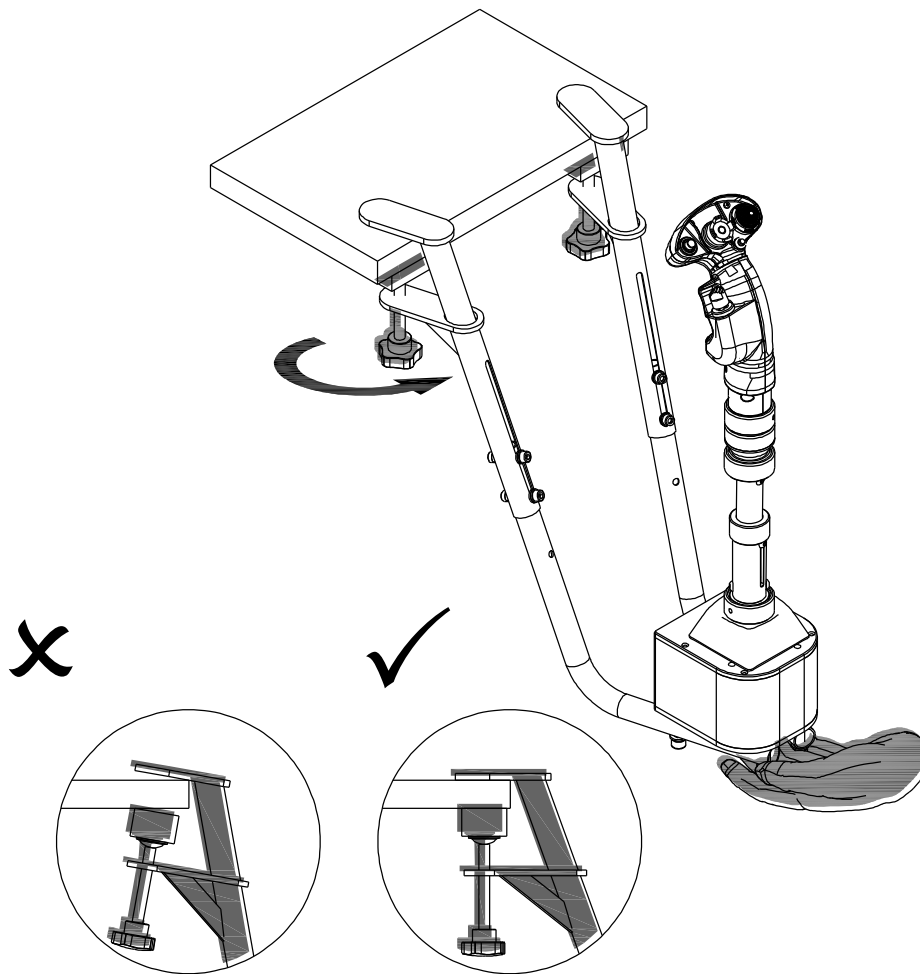
3.3 F18 joystick and base Installation



1. Insert the PS2 connector.
2. Turn the knurled cover counterclockwise (Only twist the knurled cover during disassembly and assembly, otherwise the wiring will be damaged).
3. Use a screwdriver to tighten the knurled cover clockwise.

Note: The connection steps of other components are the same, and the operation steps are reversed when disassembling.

3.4 How to install on table with desk mount



1. The top of the desk mount depends on the surface of the table.
2. Hold the end of the unit with your hand to ensure that the device is in the position shown.
3. Tighten the fixed handle.